

# EBE 3 series



### Aplicaciones

Filtros de salida especialmente diseñados para variadores de frecuencia, inversores, sistema de control de velocidad, etc... Reduce la corriente de fugas. Es el complemento ideal entre variador y motor.

### Características Principales

- 6 - 100 A
- Caja metálica compacta de fácil montaje.
- Alta inductancia.
- Reducción corriente de fugas.

### Applications

Output filter especially designed for frequency inverters and speed control systems. Reduce the leakage current. The ideal complement between inverter and motor.

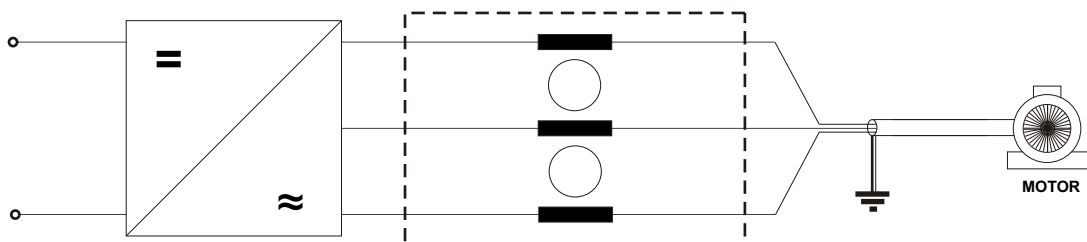
### Features Include

- 6 - 100A.
- Easy mount metallic compact box.
- High inductance
- Leakage current reduction

### Características Features

TIPO TYPE	INTENSIDAD NOMINAL RATING @ 40°C (A)	TENSION VOLTAGE 3ph	SECCION MAX. DEL CONDUCTOR MAX. CABLE ENTRY (mm <sup>2</sup> )	INDUCTANCIA INDUCTANCE (mH)	RESISTENCIA DC DC RESISTANCE R <sub>Cu</sub> (mΩ)	CAJA TIPO BOX TYPE	TERMINAL TERMINAL
EBE 3006	6	520VAC	6	7.5	50	1	BORNES SHROUDED
EBE 3010	10	520VAC	6	4.5	19	1	BORNES SHROUDED
EBE 3016	16	520VAC	6	4	12	2	BORNES SHROUDED
EBE 3025	25	520VAC	6	2.5	6.8	2	BORNES SHROUDED
EBE 3036	36	520VAC	10	1.8	3.5	2	BORNES SHROUDED
EBE 3064	64	520VAC	16	1.5	1.5	2	BORNES SHROUDED
EBE 3085	85	520VAC	25	1.2	1	2	BORNES SHROUDED
EBE 3100	100	520VAC	35	0.7	0.7	2	BORNES SHROUDED

### Circuito Eléctrico Electrical Schematic

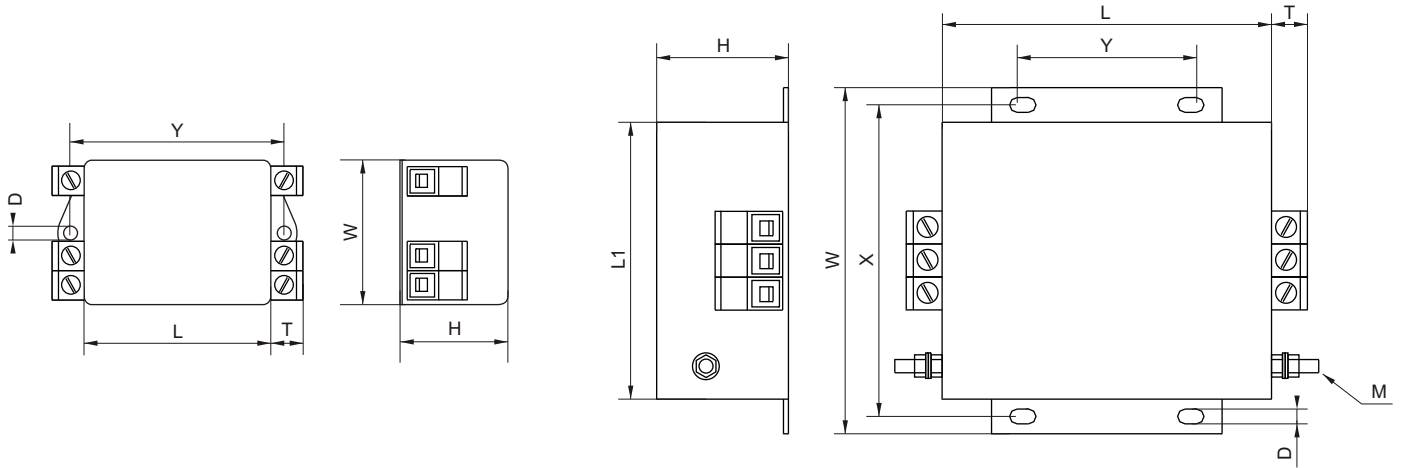


**Dimensiones Cajas Metálicas**

**Box Dimensions**

Box dimensions type - 1 -

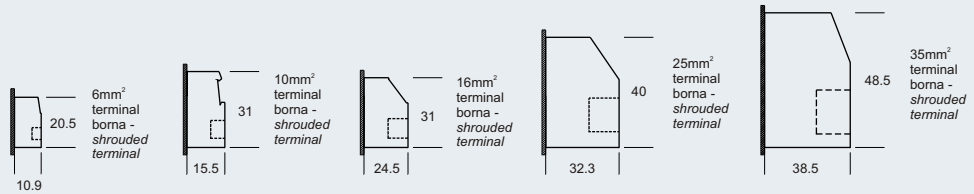
Box dimensions type - 2 -



**Terminales: Bornas**

**Terminals: Shrouded**

Dimensiones en mm.  
Dimensions in mm.



TIPO TYPE	Box type	L	W	H	L1	Y	X	T	D	M	TERMINAL TERMINAL
EBE 3006	1	65	50	40	-	75	-	10.9	5	-	BORNES SHROUDED
EBE 3010	1	65	50	40	-	75	-	10.9	5	-	BORNES SHROUDED
EBE 3016	2	100	105	57	84.5	51	95	10.9	4.5	M4	BORNES SHROUDED
EBE 3025	2	100	105	57	84.5	51	95	10.9	4.5	M4	BORNES SHROUDED
EBE 3036	2	100	105	57	84.5	51	95	15.5	4.5	M5	BORNES SHROUDED
EBE 3064	2	200	150	65	120	115	136	24.5	5.5	M6	BORNES SHROUDED
EBE 3085	2	200	150	65	120	115	136	32.3	5.5	M6	BORNES SHROUDED
EBE 3100	2	200	150	65	120	115	136	38.5	5.5	M8	BORNES SHROUDED

Dimensiones en mm.  
Dimensions in mm.

**SISTEMATISMOS®**

**SISTEMATISMOS, S.L.**  
Calle Monte Auseva, 14 Entresuelo  
33012 Oviedo  
Tno.: 98 529 6329 Fax.: 98 528 2154  
www.sistematismos.com  
sistematismos@sistematismos.com



Relies on **EMIKON** for filtering supplements EMC - EMI for its product.